

PANTHER CONTROL UNIT

User & Installation



Panthergas Direct Ltd, Unit D4 Seedbed Business Centre, Vanguard Way,
Shoeburyness, Essex, SS3 9QY Tel - 01702 384038 Fax - 01702 384043
sales@panthergasdirect.com

IMPORTANT NOTICE

All the items listed in this document - should only be installed by a competent and approved person(s) and all current regulations for Gas and Electrical Regulations **MUST** be adhered to. Attention is drawn to Regulations relating to the isolation and reinstatement of Gas and Electrical Systems.
Isolate the Mains current before starting installation.

MAINTENANCE:

All Items should be tested on a regular basis and in accordance with standard Health & Safety requirements. Inspections & Tests should be carried out at least every six months.

Test gases are available for gas detector tests.

All items in kitchens should be regularly be cleaned to ensure dirt and cooking fats do not impair the product performance. **DO NOT** use cleaning sprays.

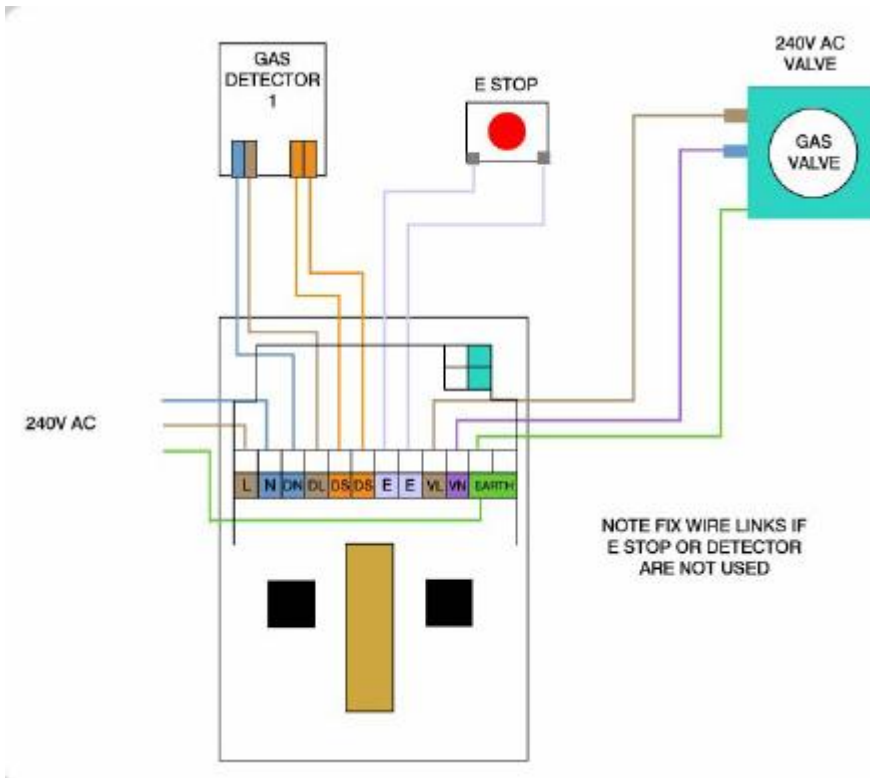
GUARANTEE: We guarantee your Product Purchase for 12 months from date of purchase. We shall not be under any obligation to repair, replace or refund any of the above found to be defective in any way due to damage, neglect or unreasonable use.

PANTHER CONTROL UNIT CONTROL UNIT – Model PA01

INSTALLATION:

The Panther Control Unit should only be installed by a competent electrician and wired in accordance with current IEE regulations. Isolate the mains current before starting installation.

The cable entry hole is on the top side of the unit. We recommend that all wiring is via a suitable grommet. If more than one detector or emergency push buttons are used, wire in series.



TERMINALS MAIN BLOCK.

- L LIVE – power input connection
- N NEUTRAL – Power input connection
- DN DETECTOR NEUTRAL SUPPLY
- DL DETECTOR LIVE SUPPLY (fused by FS1)
- DS DETECTOR SWITCH (Not Volt Free)
- DS DETECTOR SWITCH (Not Volt Free)
- E EMERGENCY STOP SWITCH (Not Volt Free)
- E EMERGENCY STOP SWITCH (Not Volt Free)

- VL GAS VALVE LIVE
- VN GAS VALVE NEUTRAL
- EARTH TERMINALS
- EARTH TERMINALS

Panther Control Unit Model PA01

The Control Unit is designed to provide a manual and monitored (utilising gas detectors) control of the gas supply. The unit is designed to operate in laboratories and any other rooms where gas is used in conjunction with auto-reset solenoid gas valve(s) (normally closed) It is designed to be wall or desk-side mounted.

The control Unit can be used for water control systems. ISOLATE unit by Fused or Switched Spur to Unit.

DETECTORS:

When detectors are used with the unit in laboratories it is recommended that the power supply to each detector is individually isolated.

FEATURES:

The unit has controls and visual indicators to provide **information and safety** as follows: The unit has a key-switch for **security** purposes. Two keys are provided for each unit. The key can be “released” in “Gas On” position. The system can only be reinstated using the key.

Red and Green Indicators denote- Power On and Gas On.

The Control Unit can also operate with Gas Detectors and Emergency Stop Buttons as required.

OPERATION:

- Power On indicator / GREEN - The unit is powered ON.
- To instate the gas supply- turn key to right “Gas Supply On” position.
- Gas On indicator / RED. Release key if required.
- To close the gas valve and isolate gas supply – push “Gas Supply Off” red button.

IF Emergency Stop Buttons/ Gas Detectors are wired to the Control Unit ensure these are reset before reinstating gas supply as above.

The unit has two inputs to receive signal(s) from:

Gas detector(s) relay(s) and/or auxiliary emergency push button(s) to close the valve on activation.

ALARM STATUS:

1. If a detector “alarms” the system will close down.

To reset - turn key to ON position. Only reset when Gas Detector is NOT in Alarm State.

2. If an Emergency push button is activated the gas valve will close. To reset - release emergency push button to NORMAL position and then reset the unit.

VERSATILE CONTROL SYSTEMS FOR GAS & WATER CONTROL

